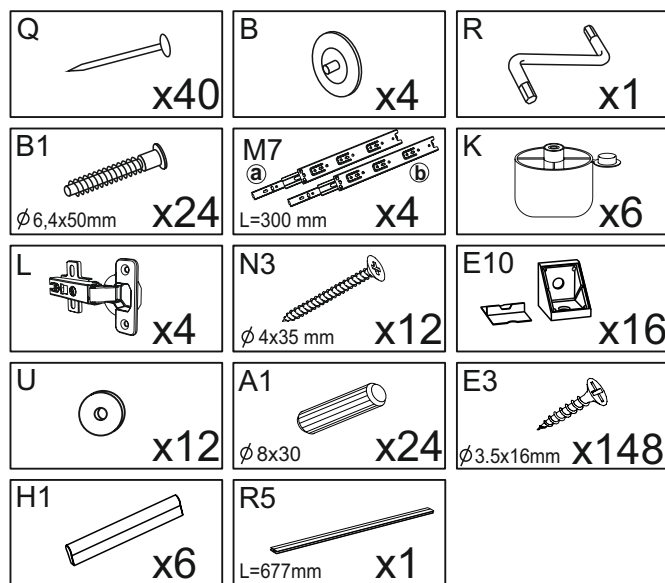
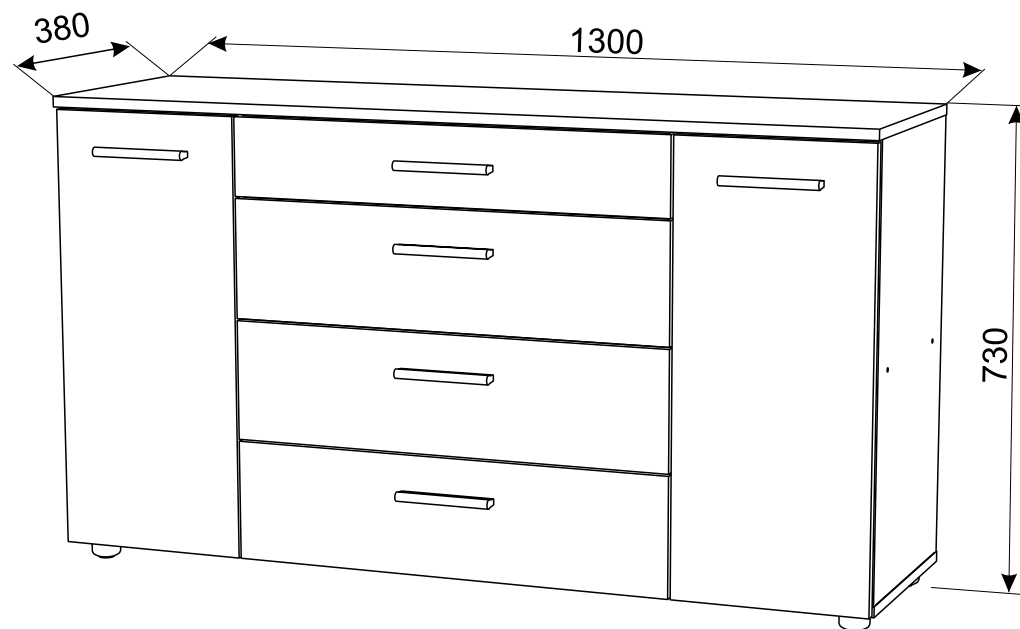


(ENG)

Commode "Commode-1-3-2(P)"

(UA)

Комод "Комод- 1-3-2(П)"

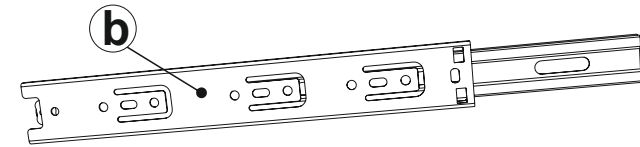
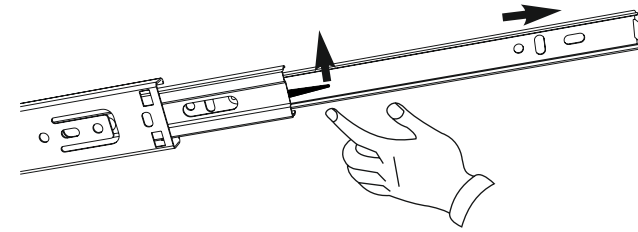
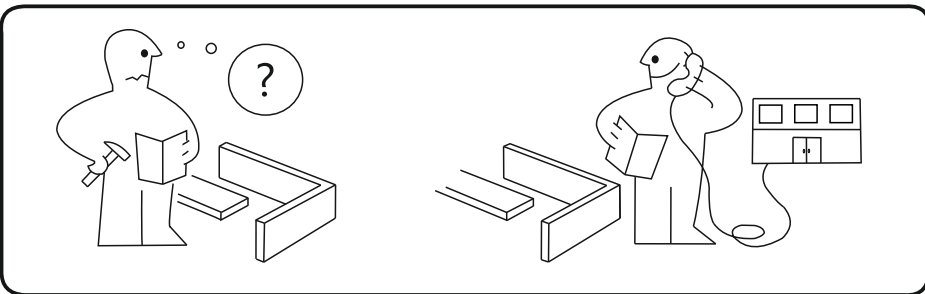
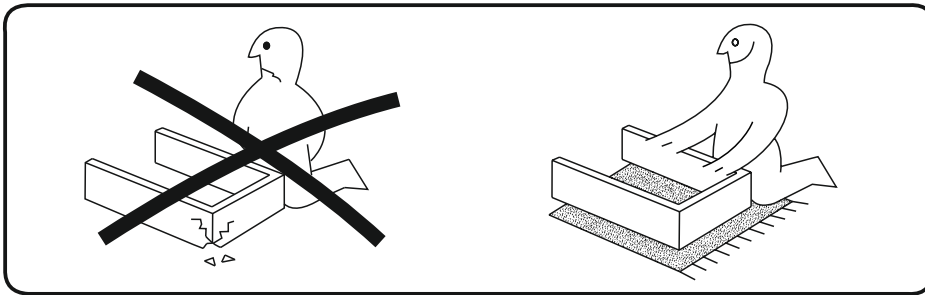
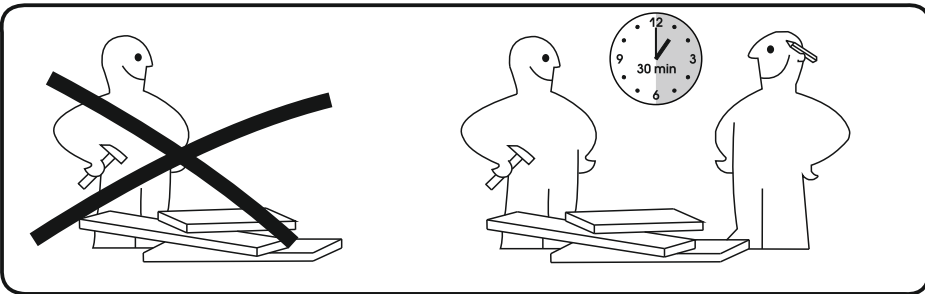
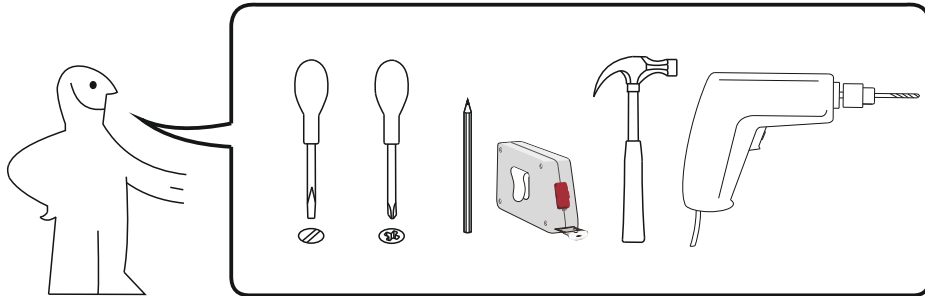


| No | axb | x |
|----|----------|---|
| 1 | 1300x380 | 1 |
| 2 | 1300x360 | 1 |
| 3 | 668x360 | 2 |
| 4 | 668x360 | 1 |
| 5 | 668x360 | 1 |
| 6 | 360x278 | 2 |
| 7 | 690x120 | 1 |
| 8 | 621x80 | 1 |
| 9 | 350x80 | 2 |
| 10 | 678x298 | 2 |
| 11 | 690x183 | 3 |
| 12 | 621x100 | 3 |
| 13 | 350x100 | 6 |
| 14 | 1294x347 | 2 |
| 15 | 649x357 | 4 |

 - DVP/ДВП

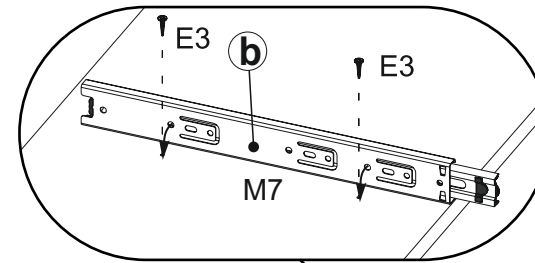
“Commode-1-3-2(P)”
 “Комод- 1-3-2(П)”

1

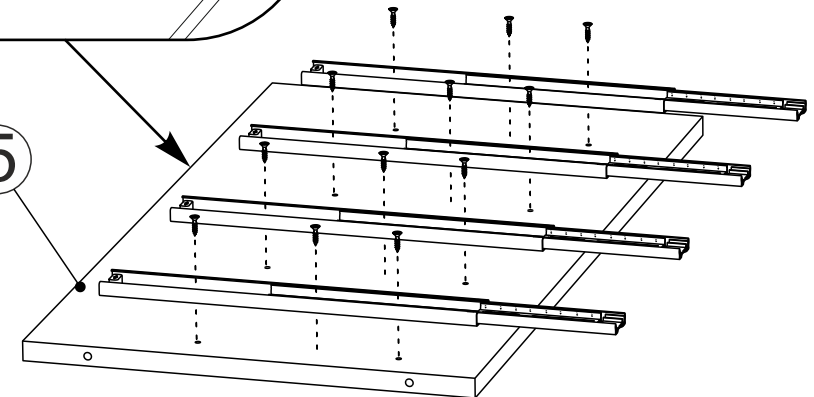


4x
 L=300 mm M7

2



5

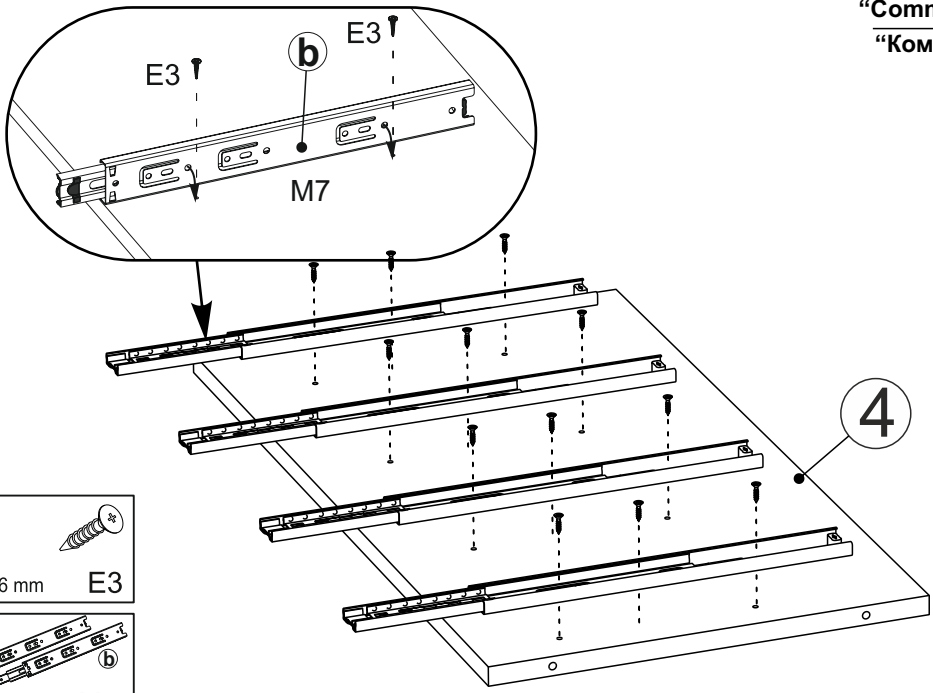


12x
 Ø 3.5x16 mm E3

4x
 L=300 mm M7

2

3



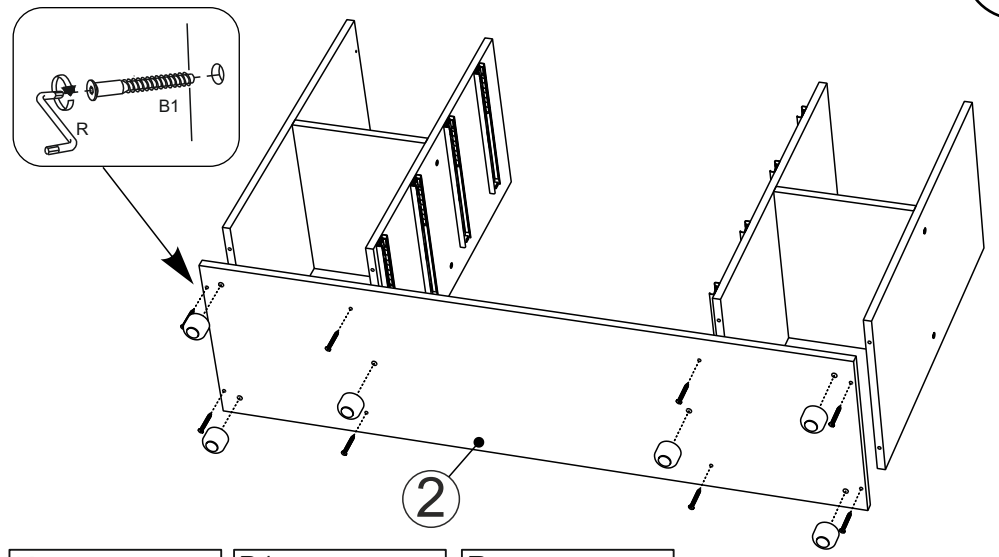
12x
 ø 3.5x16 mm E3

4x
 L=300 mm M7

4

“Commode-1-3-2(P)”
 “Комод- 1-3-2(П)”

5



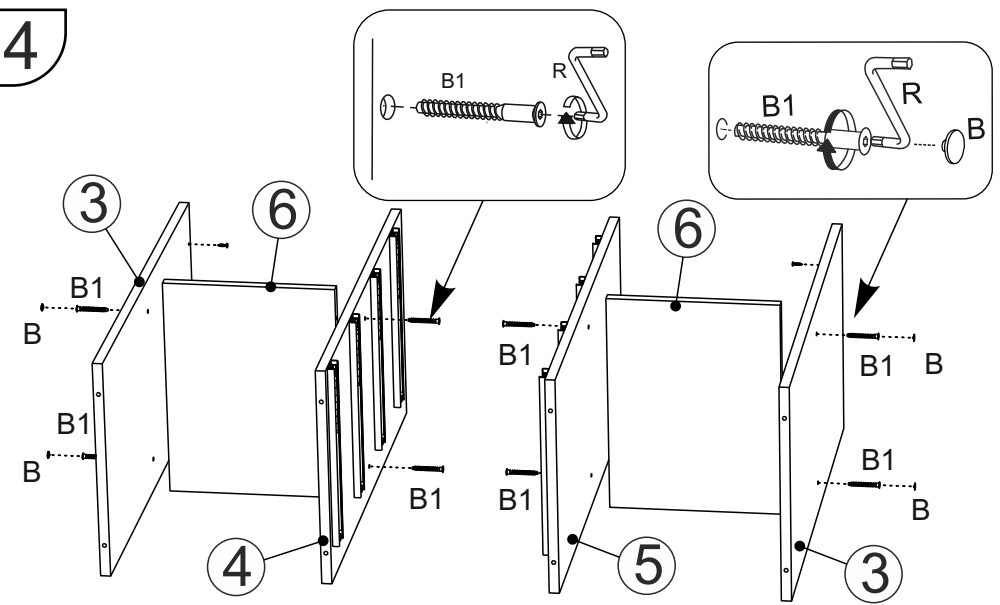
K
 x6

B1
 ø 6,4x50mm x8

R
 x1

2

4



B1
 ø 6,4x50mm x8

R
 x1

B
 x4

4

5

3

6

A1
 ø 8x30 x8

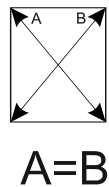
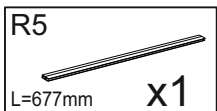
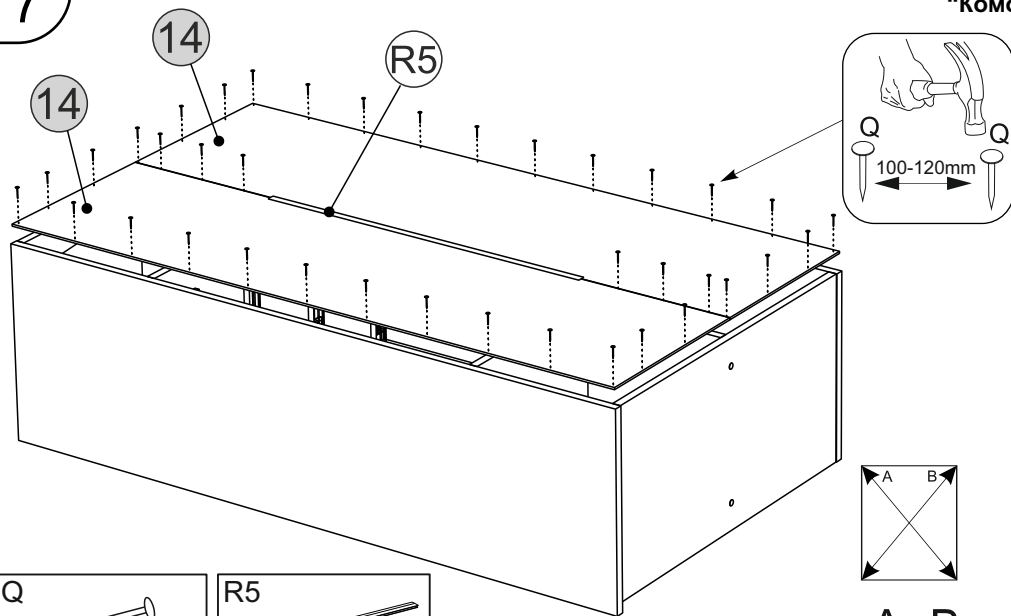
E10
 x8

E3
 ø 3.5x16mm x16

1

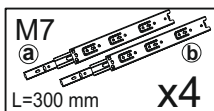
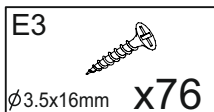
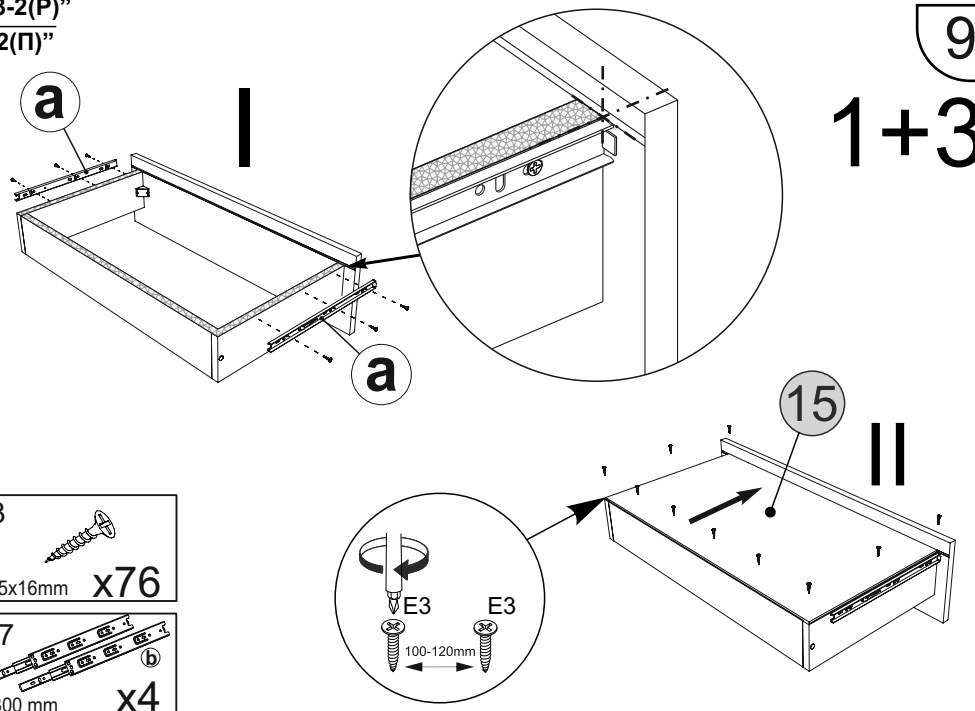
3

7

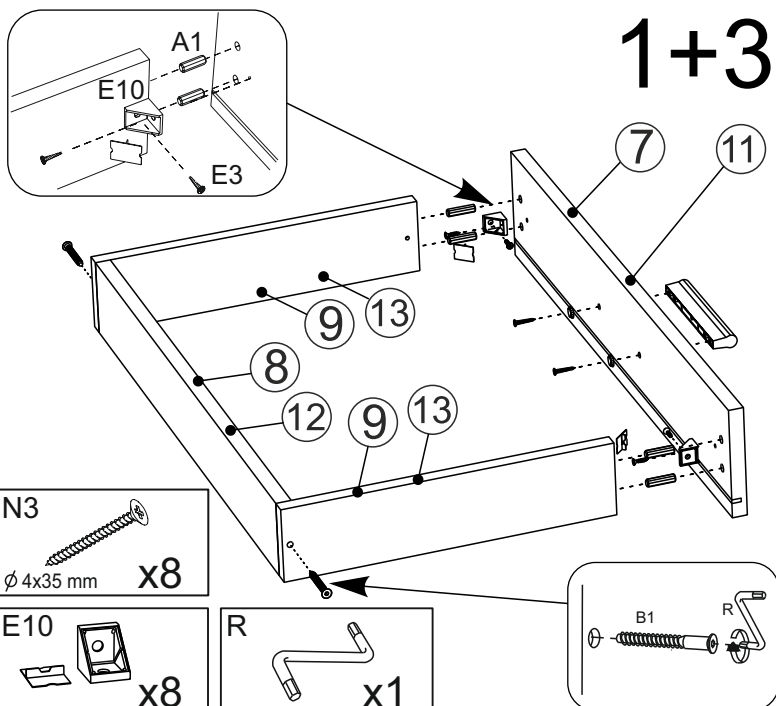
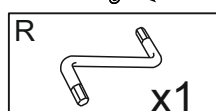
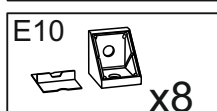
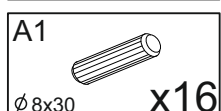
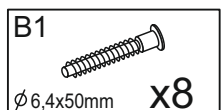
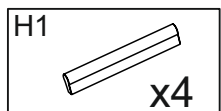
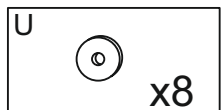


“Commode-1-3-2(P)”
 “Комод- 1-3-2(П)”

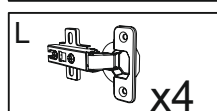
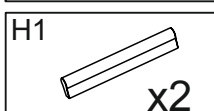
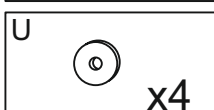
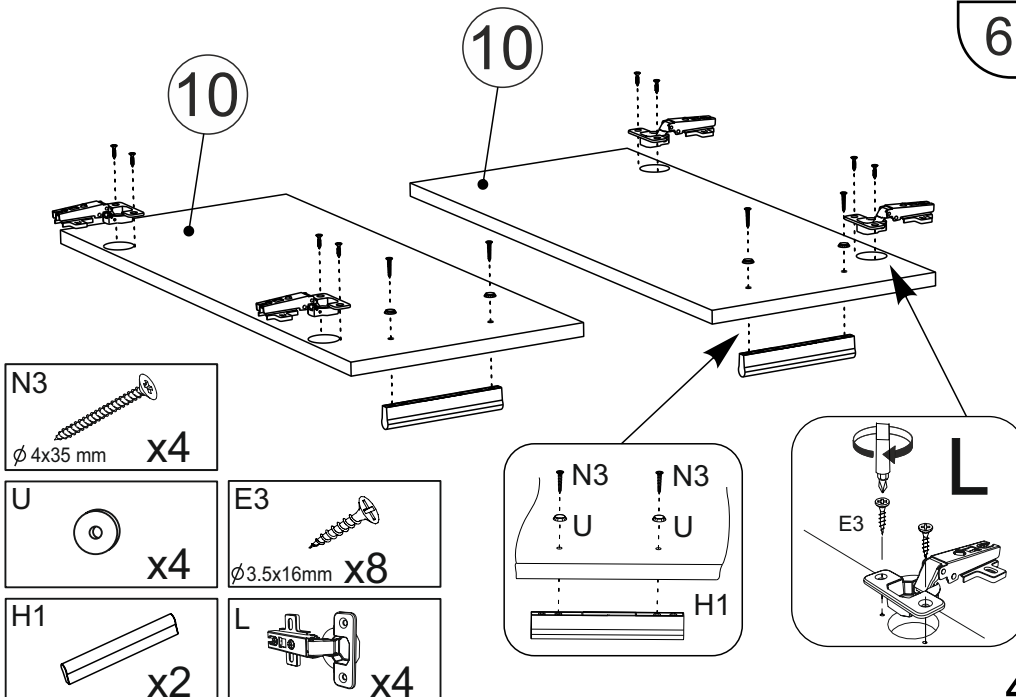
9



8



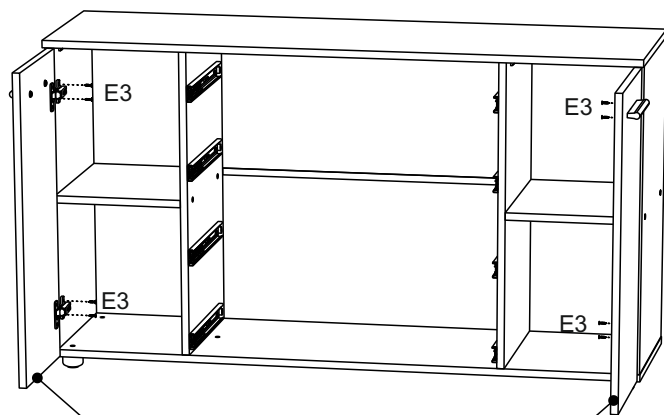
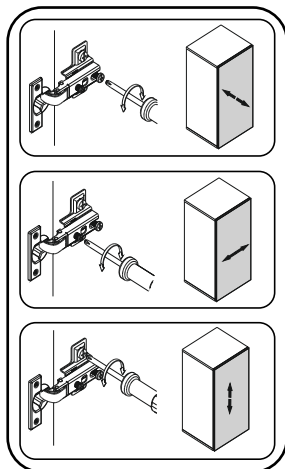
6



4

11

“Commode-1-3-2(P)”
“Комод- 1-3-2(П)”



12

