

5x H1
10x N3
 ϕ 4x35 mm
10x U
60x Q
66x E3
 ϕ 3.5x16 mm
1x R5
 L=1855mm
1x R2
 L=573mm
2x F3
3x L1
1x R3
38x B1
 ϕ 6,4x50mm
2x M3
 400 mm
30x B
4x E10
1x R
4x K2
8x A1
 ϕ 8x30

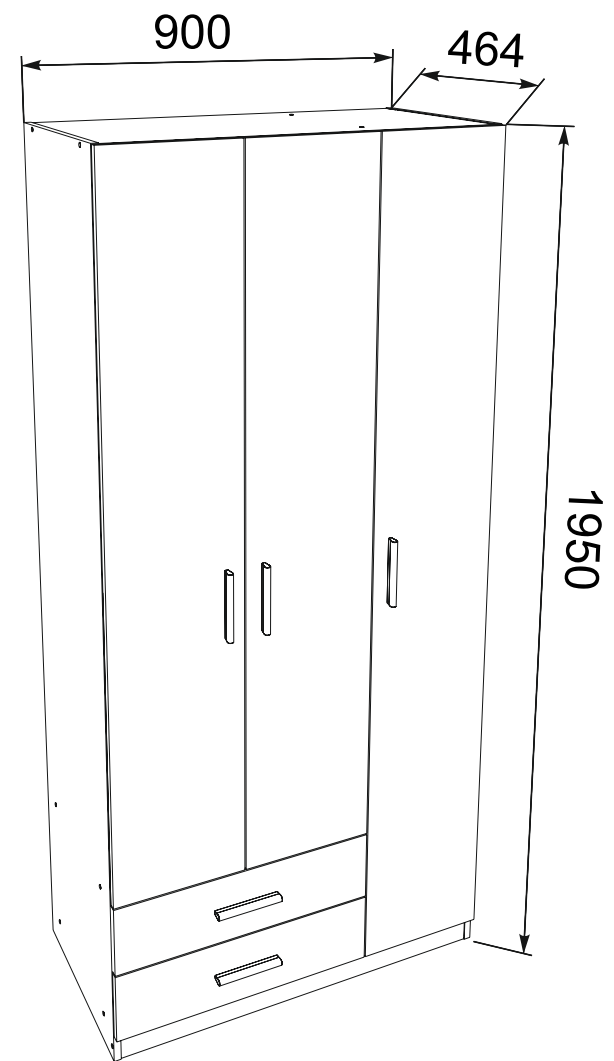
No	a x b	x	No	a x b	x
1	1950x448	1	16	1885x298	3
2	1857x448	1	17		
3	1950x448	1	18		
4	868x448	1	19		
5	868x60	1	20		
6	576x448	1	21		
7	868x448	1	22		
8	448x276	4	23		
9	1569x297	1	24		
10	1569x297	1	25		
11	1887x297	1	26		
12	400x100	4	27		
13	519x100	2	28		
14	597x156	2	29		
15	548x407	2	30		

ENG

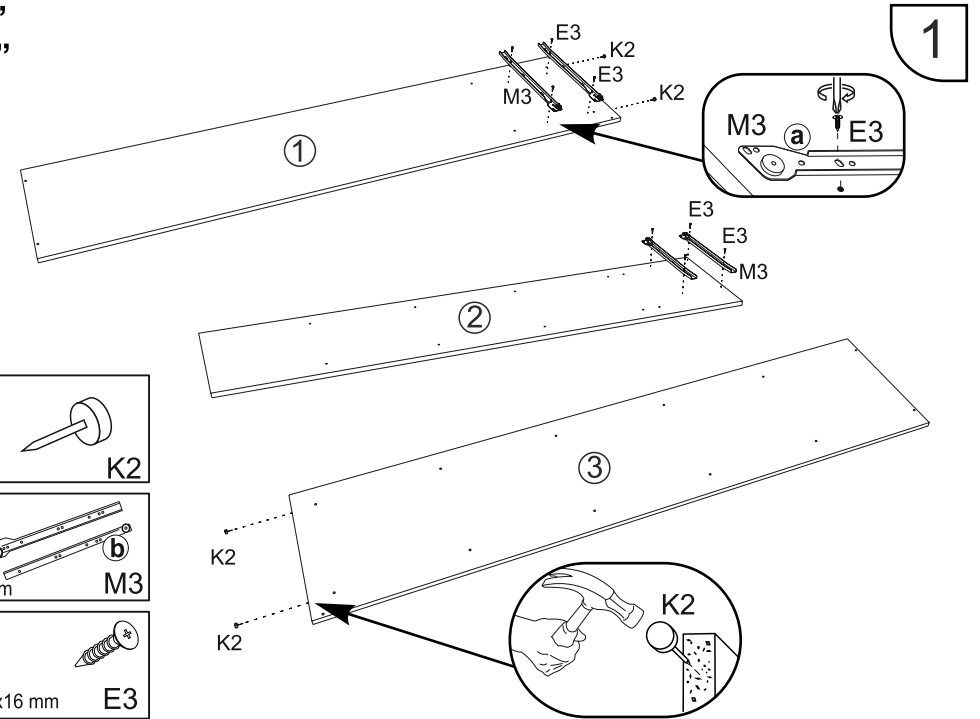
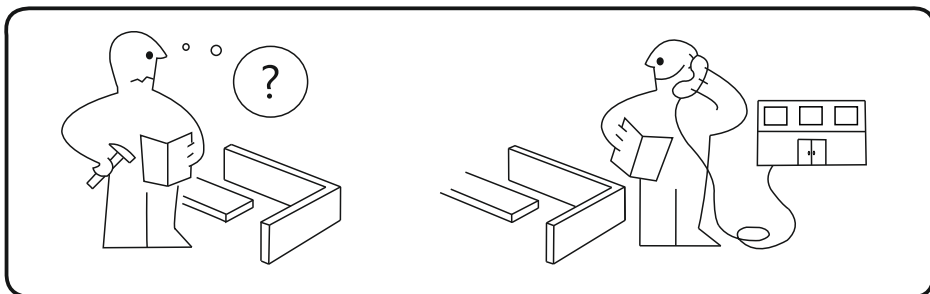
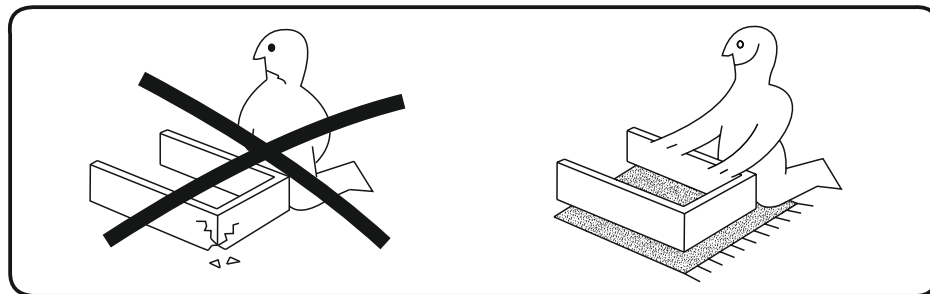
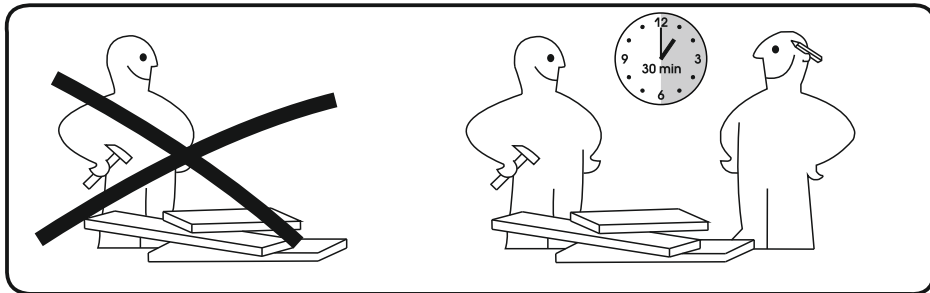
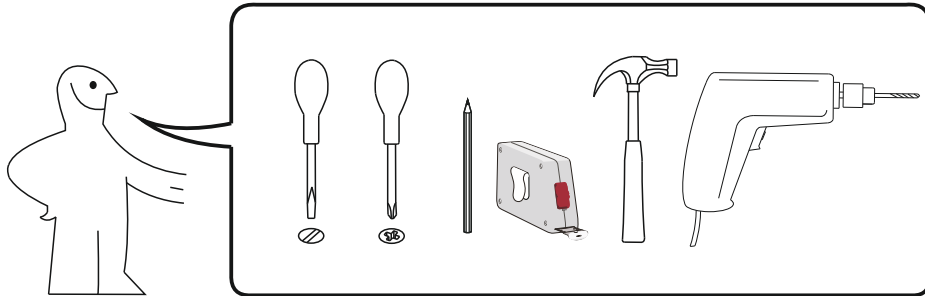
UA

Wardrobe "Shafa-13"

Шафа "Шафа-13"



“Shafa-13”
“Шафа-13”



4x
K2

2x
400 mm
M3

8x
∅ 3.5x16 mm
E3

5x
H1

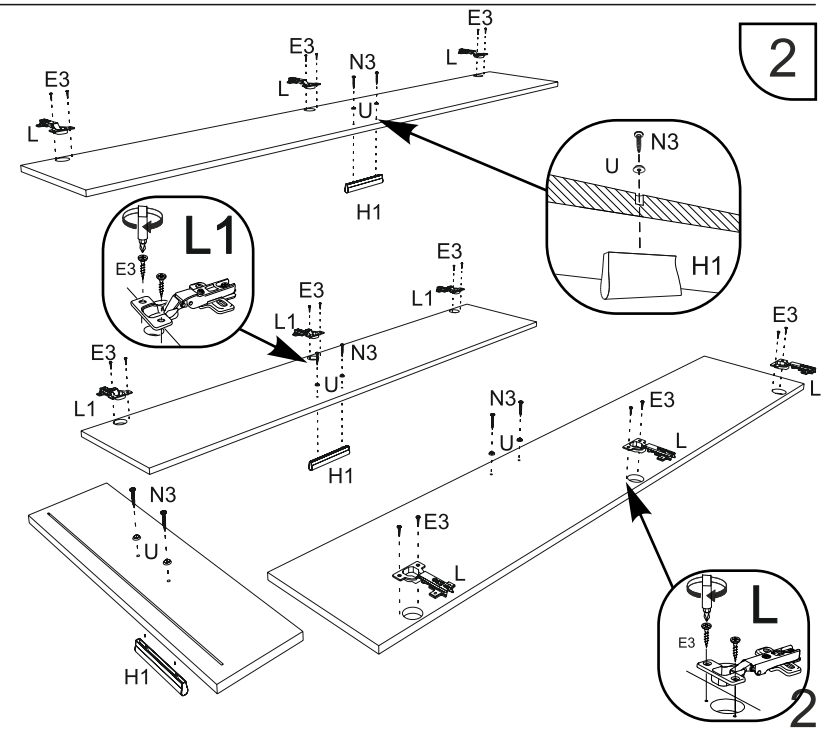
10x
∅ 4x35 mm
N3

10x
U

6x
L

3x
L1

18x
∅ 3.5x16 mm
E3

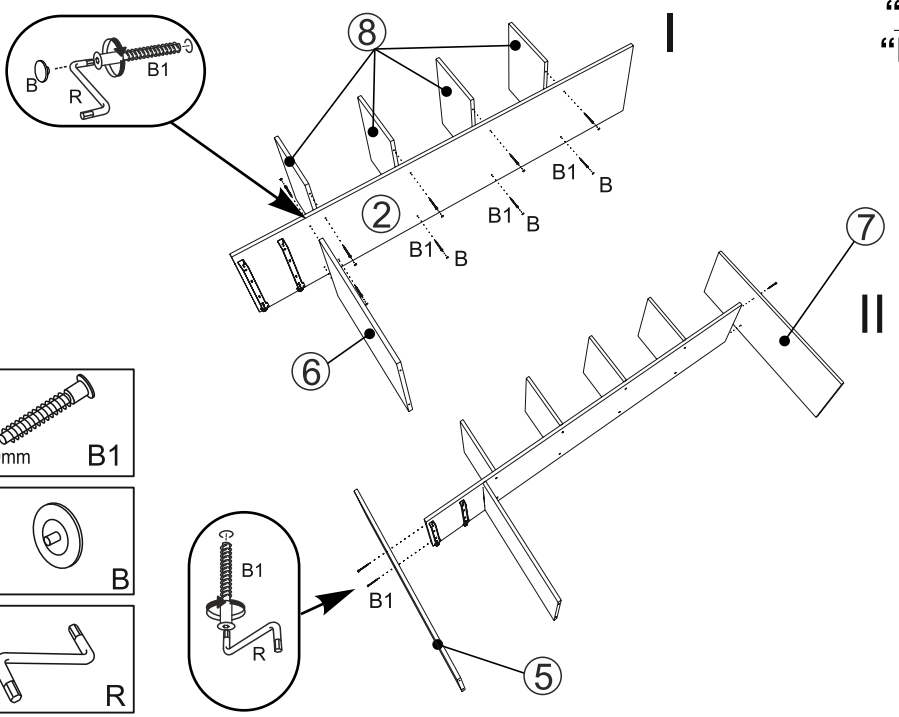


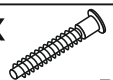

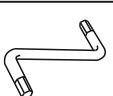
1

2

2

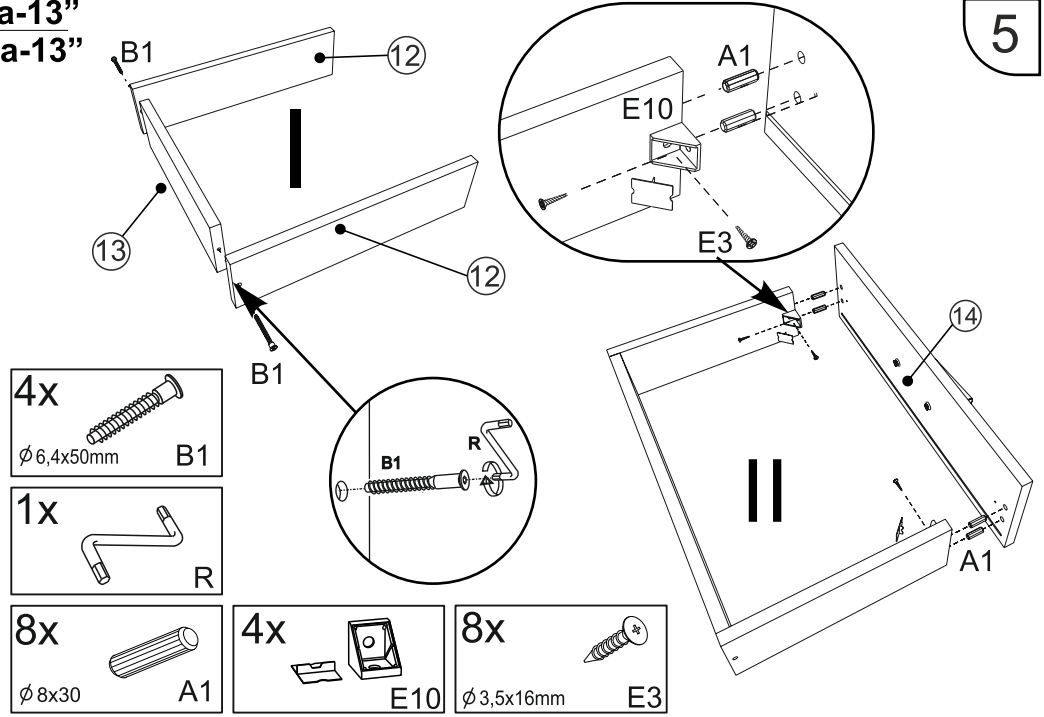
3

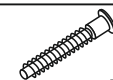
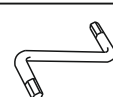
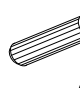




- 14x  $\phi 6,4 \times 50 \text{mm}$ B1
- 10x  B
- 1x  R

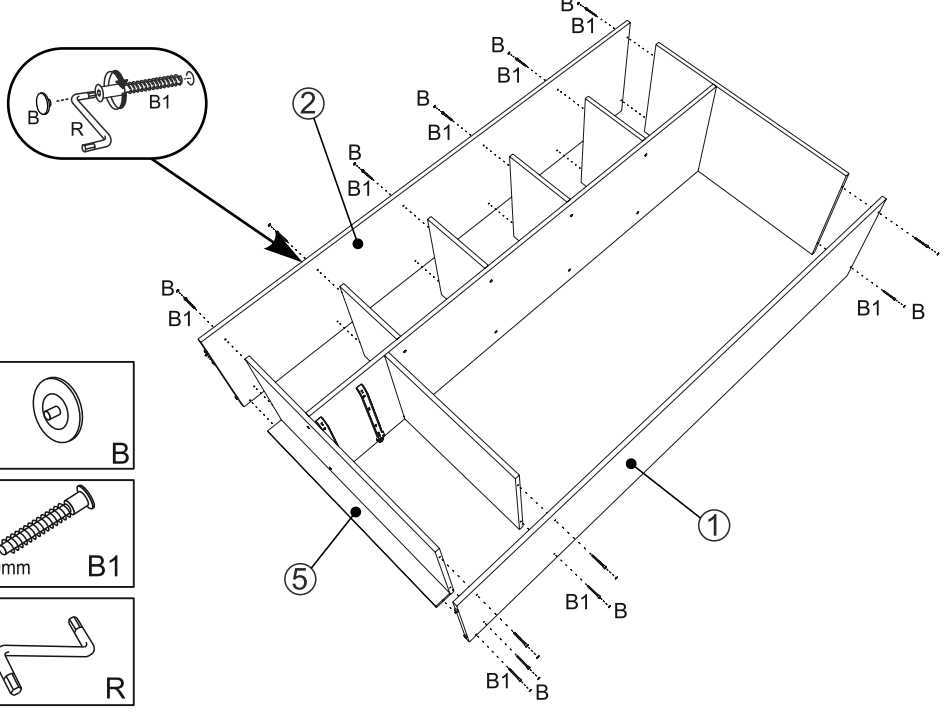
“Shafa-13”
“Шафа-13”


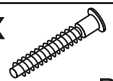
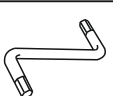
5



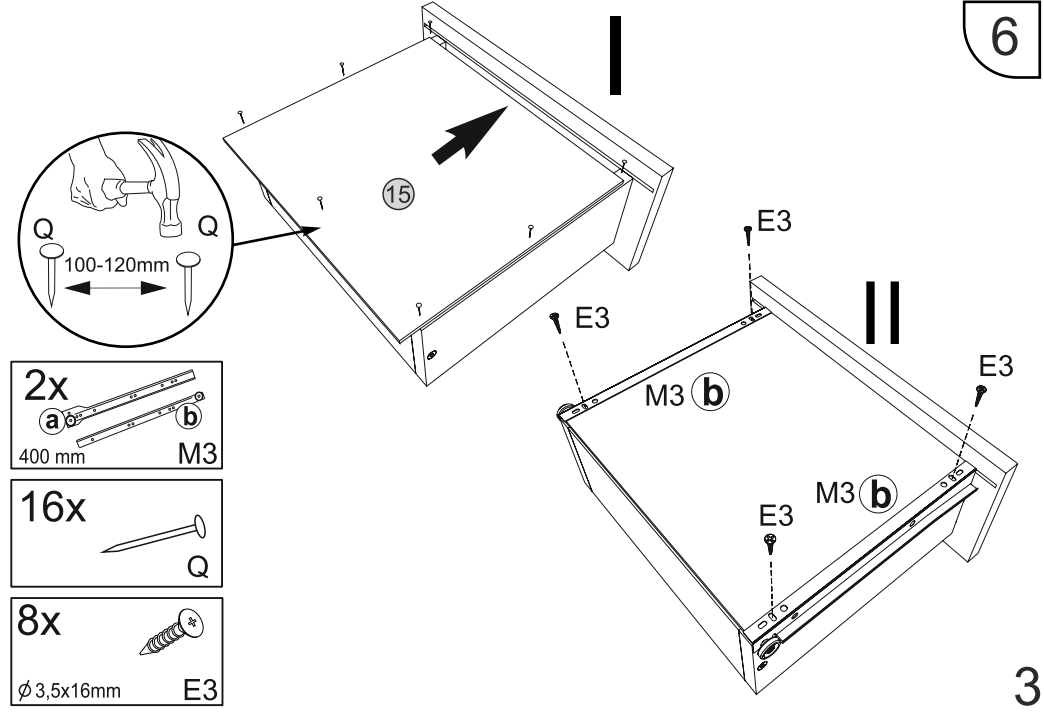
- 4x  $\phi 6,4 \times 50 \text{mm}$ B1
- 1x  R
- 8x  $\phi 8 \times 30$ A1
- 4x  E10
- 8x  $\phi 3,5 \times 16 \text{mm}$ E3


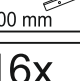


4



- 20x  B
- 20x  $\phi 6,4 \times 50 \text{mm}$ B1
- 1x  R

6

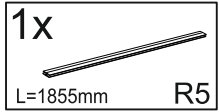
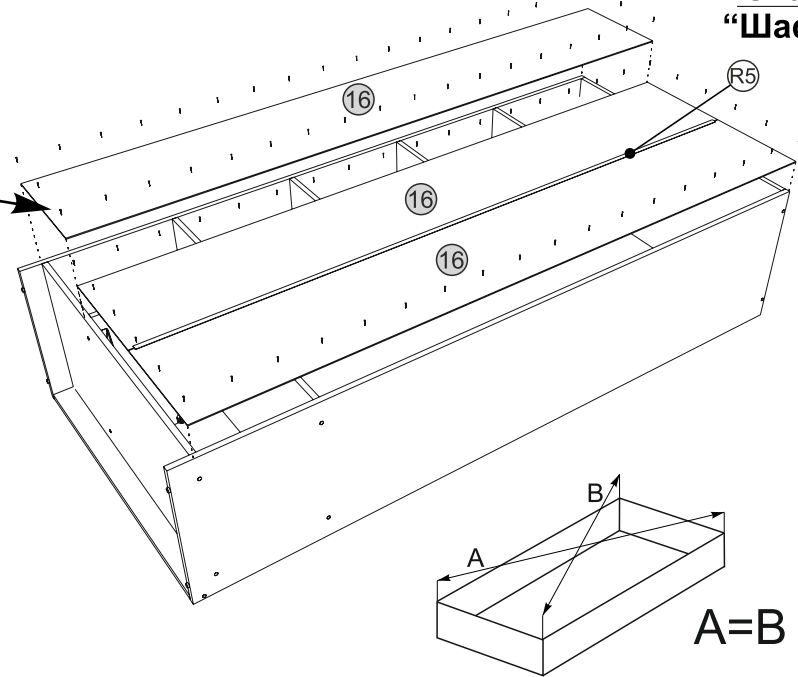
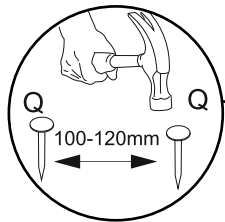


- 2x  a  b 400mm M3
- 16x  Q
- 8x  $\phi 3,5 \times 16 \text{mm}$ E3

3

7

“Shafa-13”
“Шафа-13”



8

