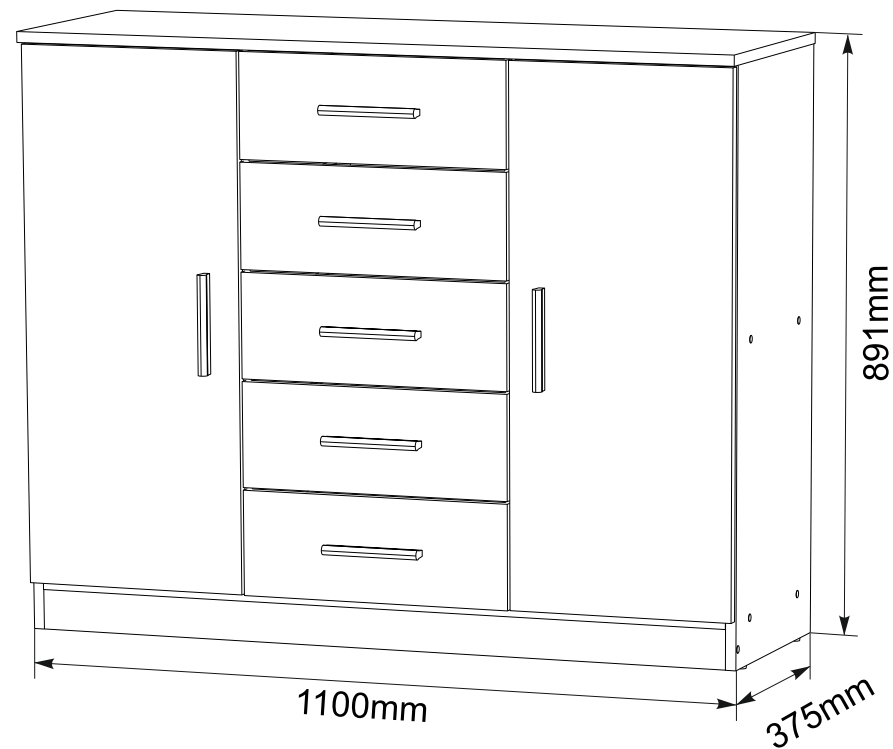


№	a x b	x
1	1110x375	1
2	1074x352	1
3	352x322	2
4	875x352	2
5L	799x352	1
5R	799x352	1
6	1074x60	1
7	800x340	2
8	350x100	10
9	340x100	5
10	414x157	5
11	825x410	1
12	825x340	2
13	370x355	5

 - DVP/ДВП

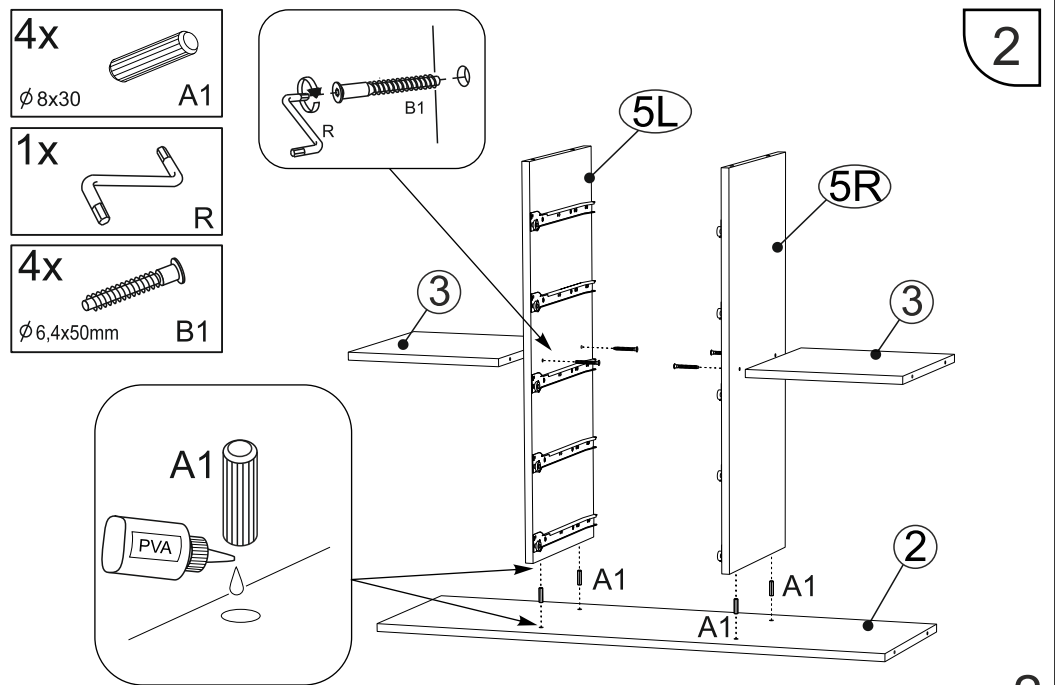
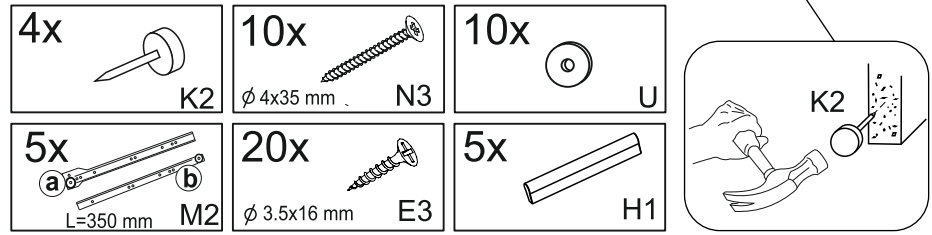
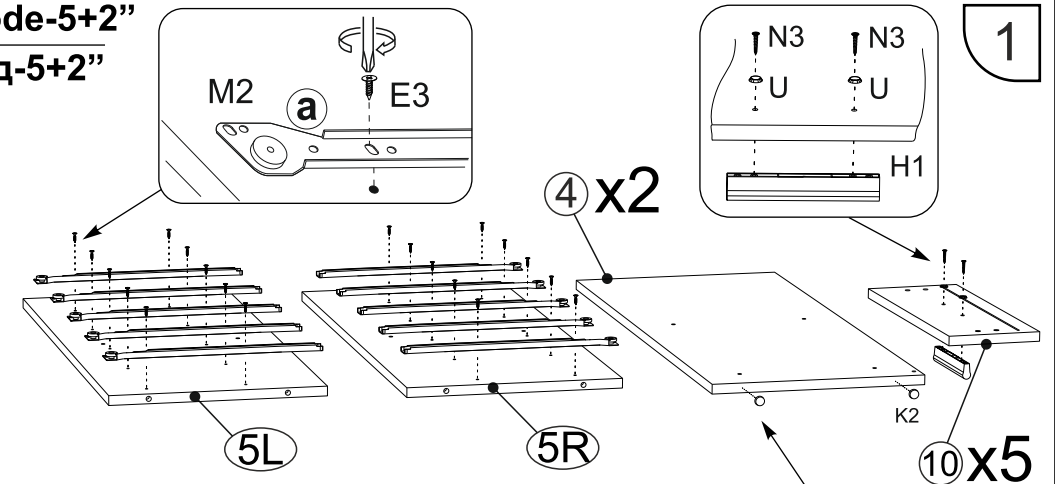
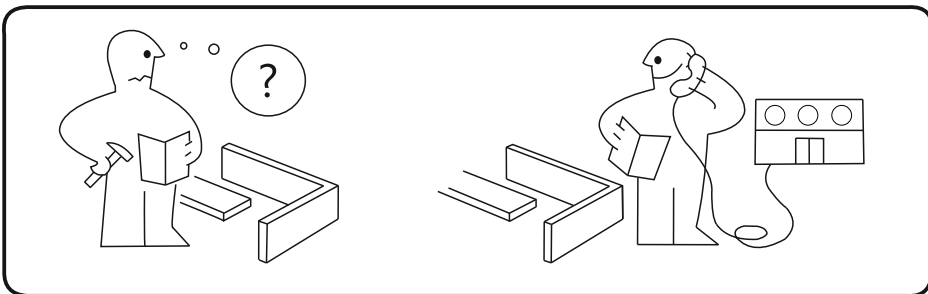
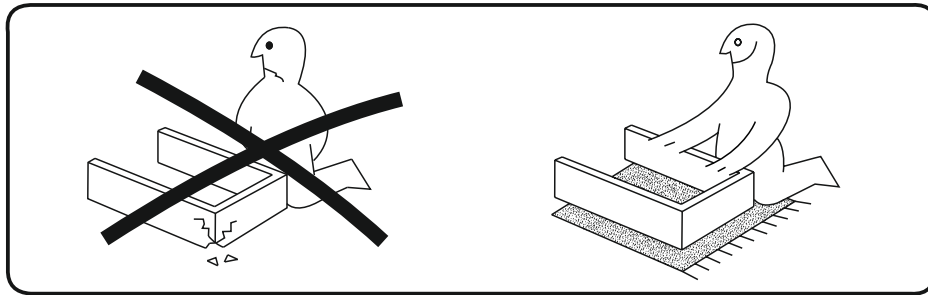
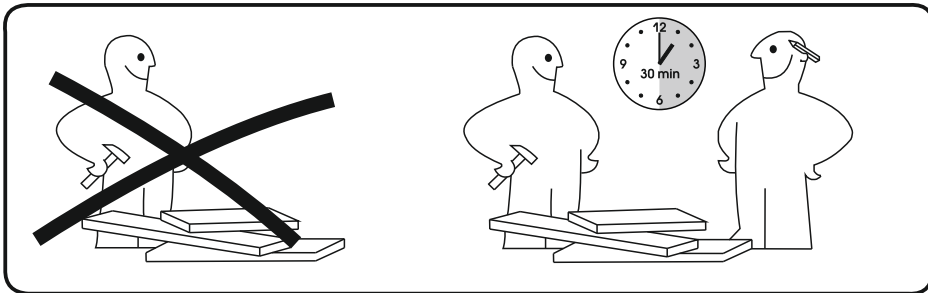
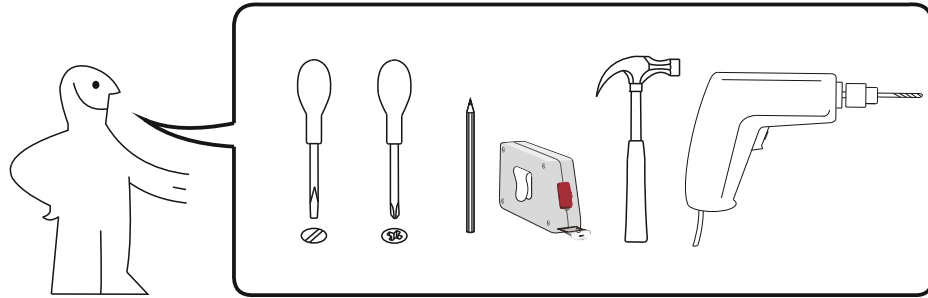
(ENG) **Commode "Commode-5+2"**

(UA) **Комод "Комод-5+2"**



“Commode-5+2”

“Комод-5+2”



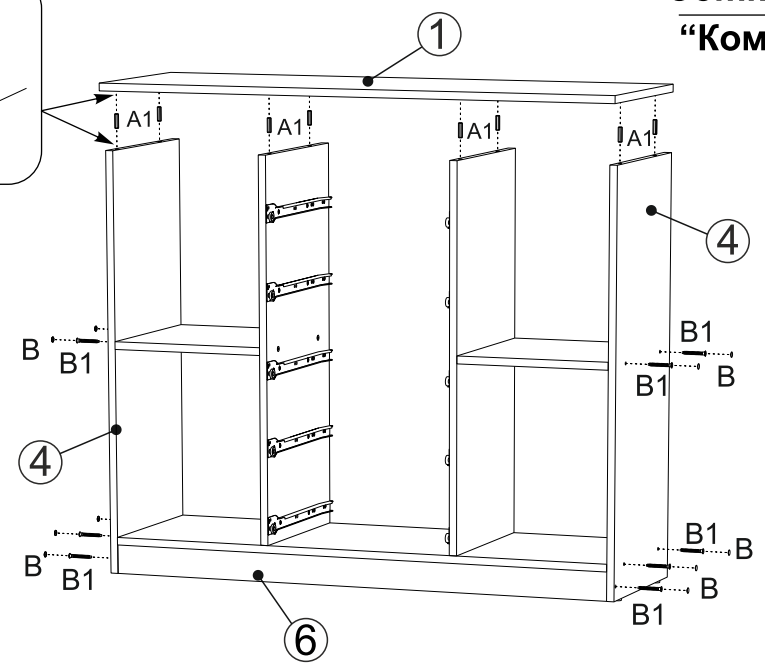
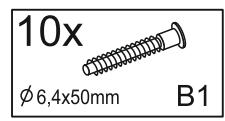
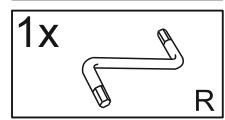
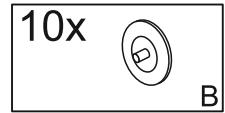
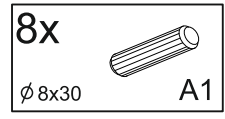
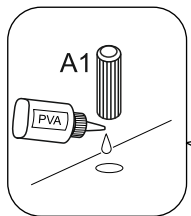
1

2

2

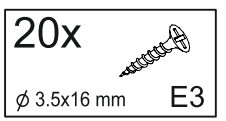
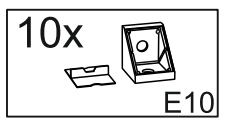
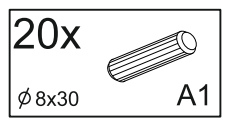
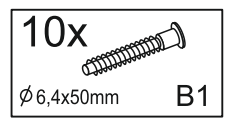
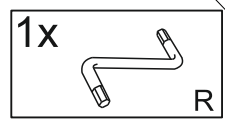
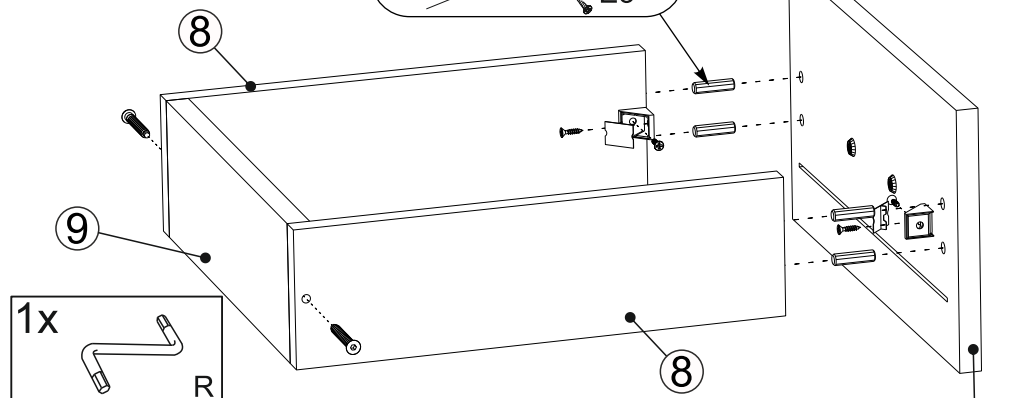
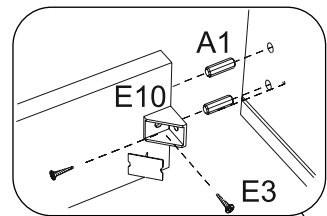
3

"Commode-5+2" "Комод-5+2"

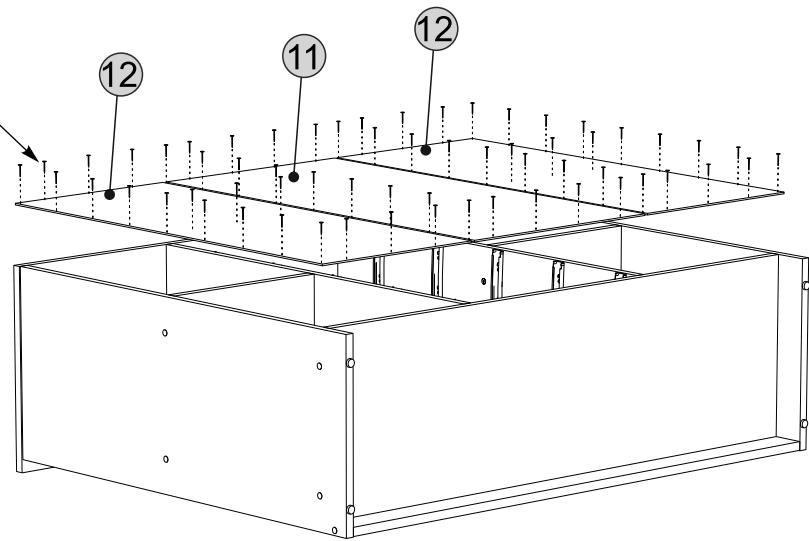
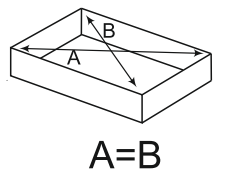
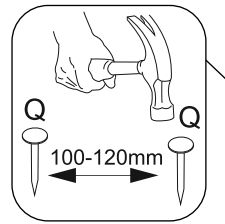


5

x5

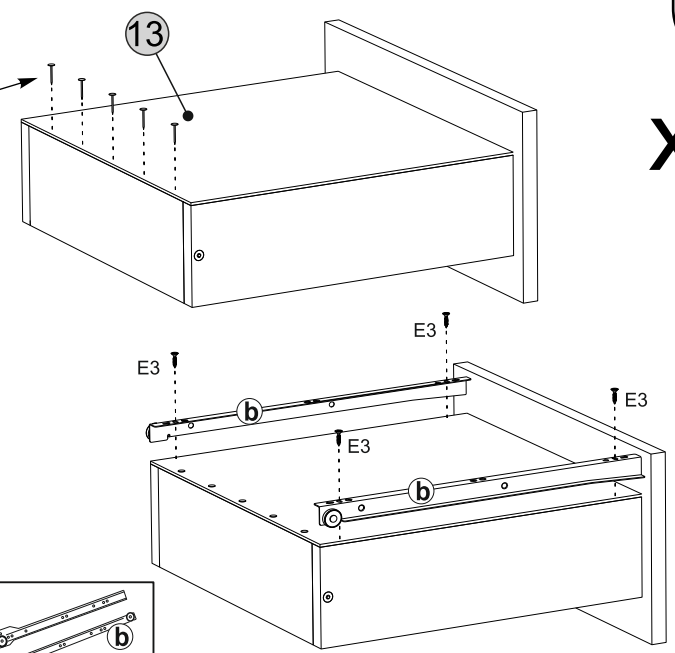
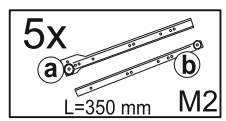
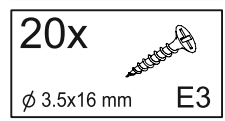
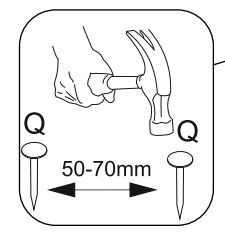


4



6

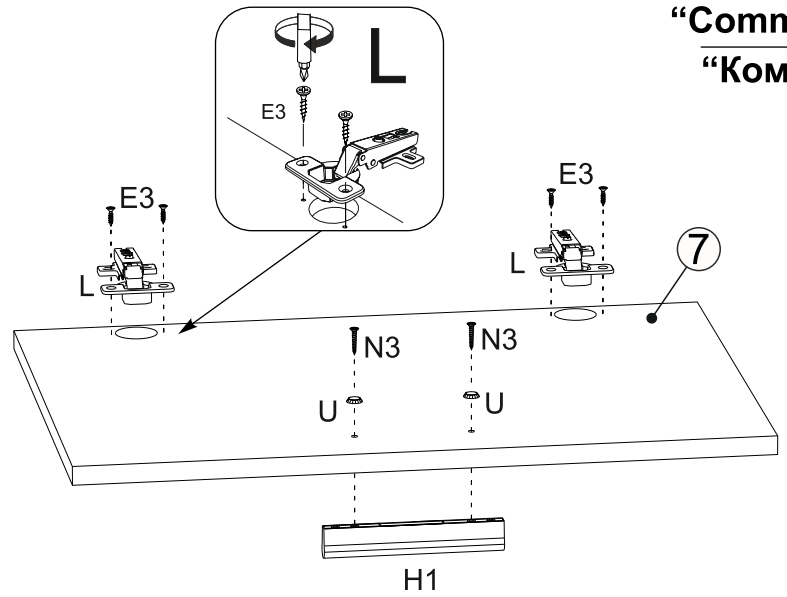
x5



3

3

- 2x H1
- 4x U
- 4x N3
ø 4x35 mm
- 8x E3
ø 3.5x16 mm
- 4x L



“Commode-5+2”
“Комод-5+2”

x2

4

- Diagram showing the installation of a shelf bracket (L) into a shelf (U) using a screw (E3).
- Diagram showing the installation of a shelf bracket (L) into a shelf (U) using a screw (E3).
- Diagram showing the installation of a shelf bracket (L) into a shelf (U) using a screw (E3).

- 8x E3
ø 3.5x16 mm

